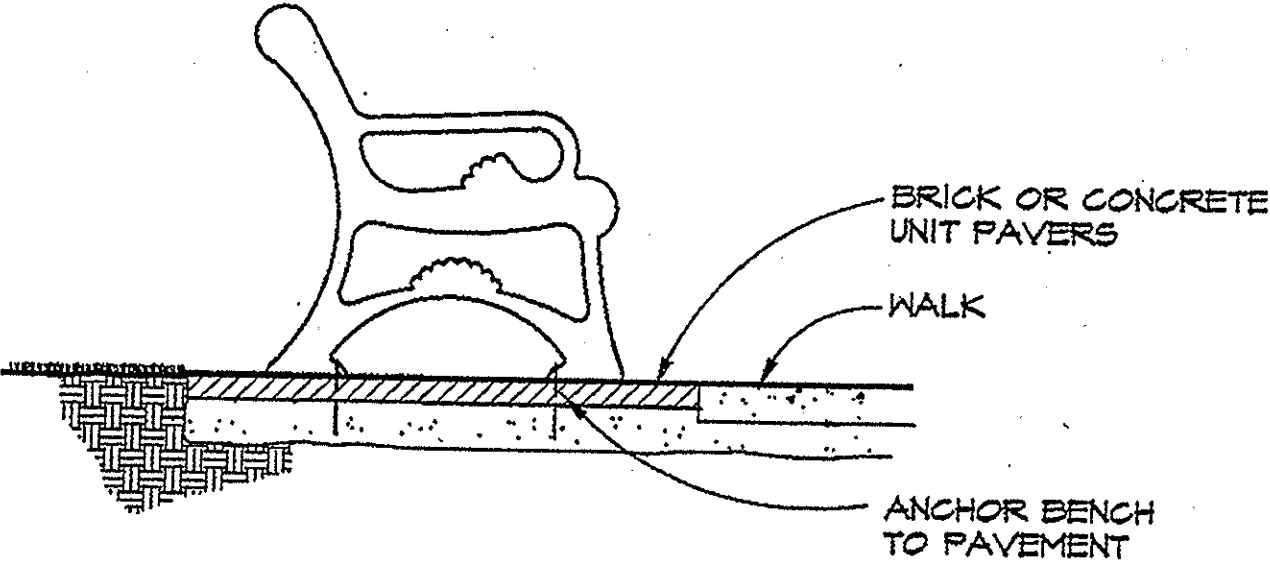
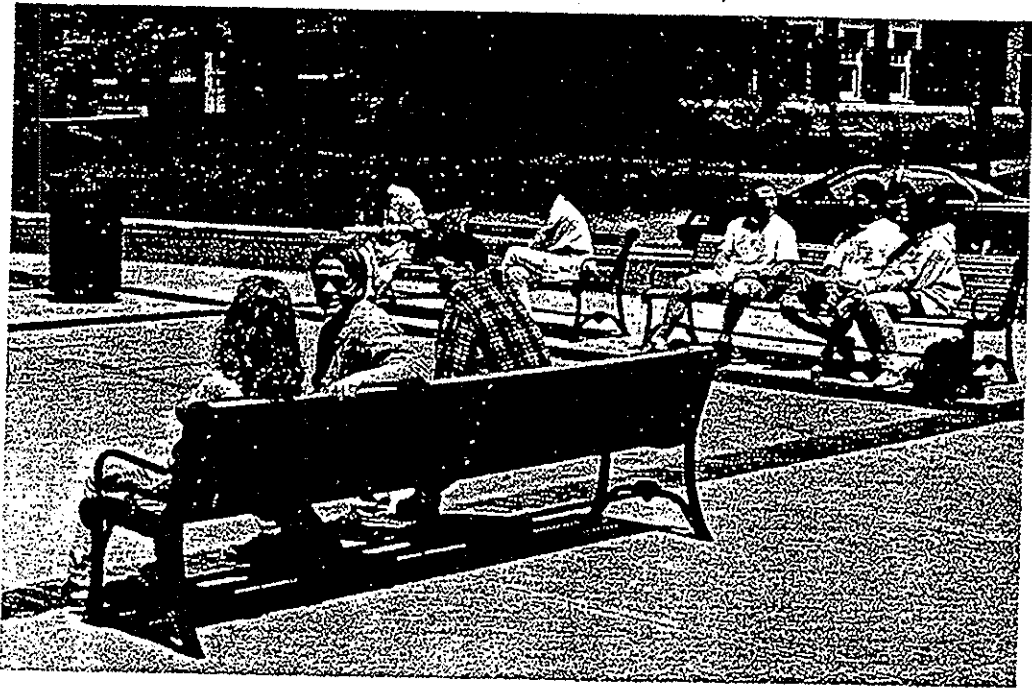


CAMPUS GUIDELINES



TYPICAL INFORMAL BENCH DETAIL

PEDESTRIAN BENCH

CRITERIA:

- a. Style should be clean and simple, and add to the park-like atmosphere of its surroundings.
- b. Benches should be structurally adequate to withstand extensive student use, inclement weather conditions and most vandalism.
- c. Bench should be comfortable and functional.
- d. Bench should require little or no maintenance.

RECOMMENDATIONS:

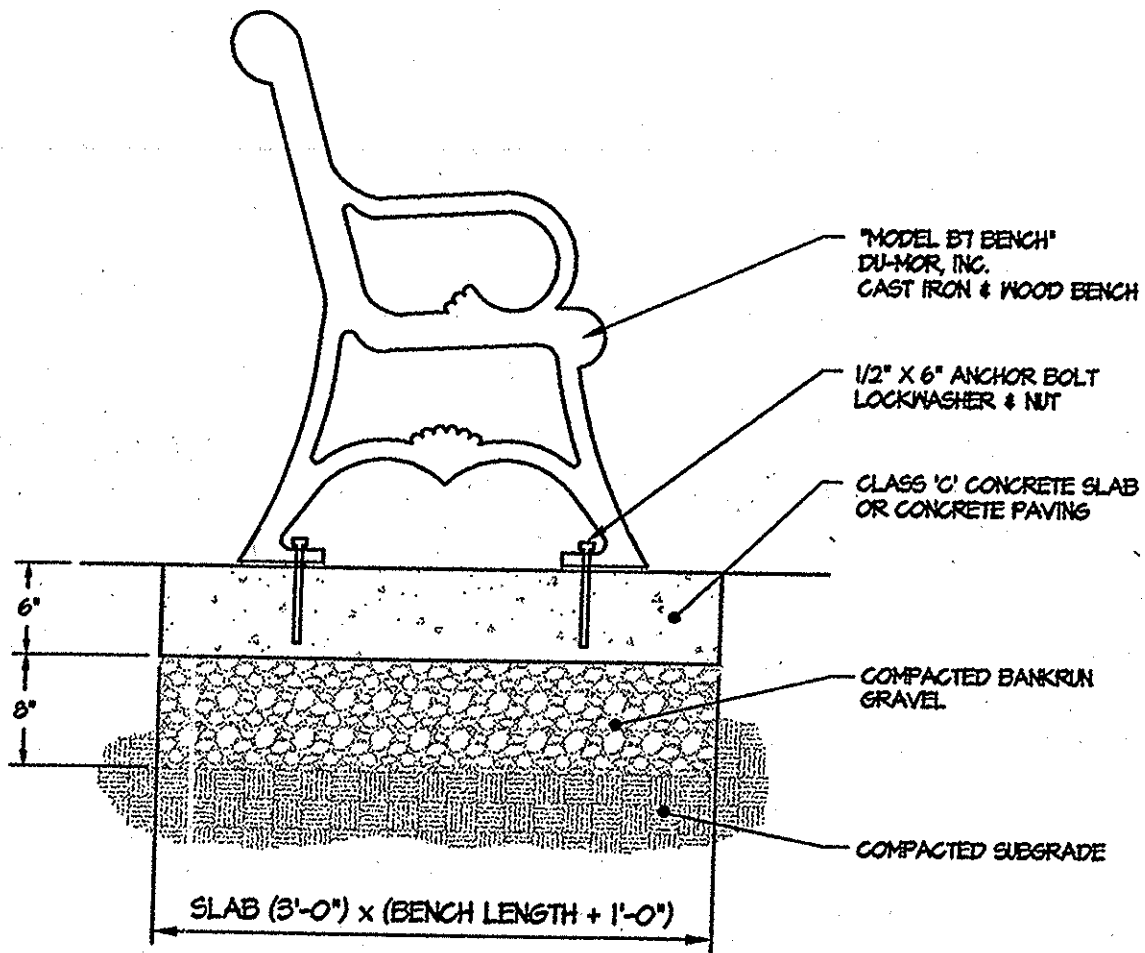
- a. Benches should have backs for maximum comfort.
- b. Material of the bench should be wood or recycled high density polyethylene (HDPE) on a steel base for resistance to moisture, insects, splinters, cracks and vandalism.
- c. Metal components should be black to match other site furnishings.

LOCATION:

- a. Along pedestrian corridors especially where major pathways cross.
- b. Along the North/South Cross-Axial Path, benches should be set within the module established by the unit paver banding and organized with other site elements such as light poles, trash receptacles, etc.
- c. Within residential complexes.
- d. Adjacent to major buildings entrances.
- e. Around Mirror and Swan Lake.

SOURCES:

- a. Utilize the existing university standard (Du Mor, inc) with the potential to adapt for incorporation of HDPE recycled material.



○ ————— **STANDARD CAMPUS BENCH**
 N.T.S.