

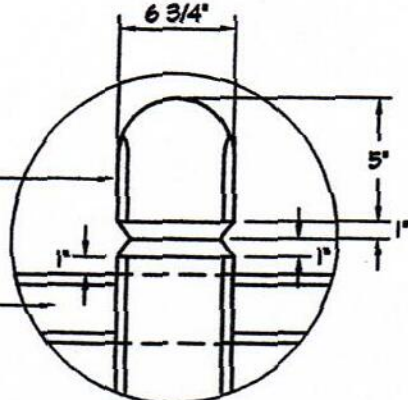
DUMPSTER SLAB-ON-GRADE DETAIL

N.T.S.

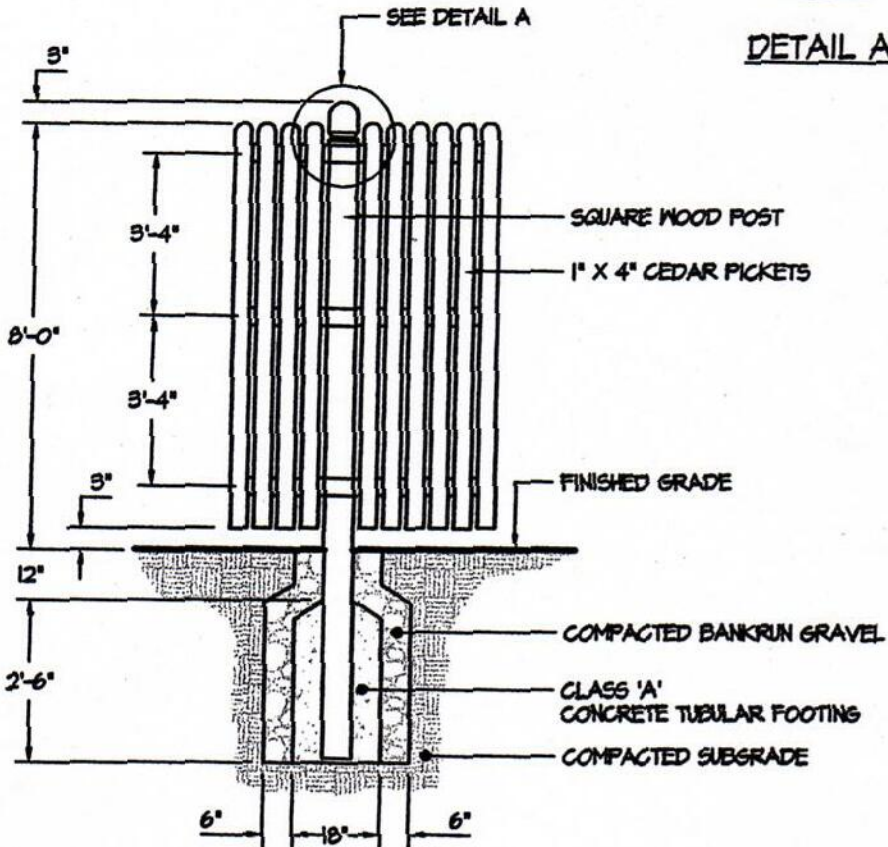


CHAMFERED EDGE POST
AND RAILS (1")

RAIL MORTICED INTO
POST (2" X 6")



DETAIL A



ELEVATION

DUMPSTER WOOD FENCE ENCLOSURE

N.T.S.

